



6301MNd

| | |
|--------------------------------|---------------------|
| Nominal Diameter | 15" / 38cm |
| Rated Impedance | 8 Ω |
| Half space sensitivity (1W@1m) | 95.5 dB SPL |
| Power Handling Capacity | 1200 W AES |
| SPL max (continuous) | 123 dB SPL |
| Usable frequency range | 30 - 1000 Hz |
| Speaker net mass | 5.7 kg |

15 inches bass driver



Architecture Highlights

- Ultra light injection molded Magnesium basket
- Neodymium magnet system with symmetric BL(x) and Le(x) characteristics
- Forced-air Intercooling System for low thermal compression
- Heavy duty long excursion suspension with linear behavior for large signal
- Dual side coating diaphragm for excellent sound reproduction and tropical withstanding

Motor architecture

| | | |
|---------------------|----|------------|
| Magnet material | - | Nd |
| Voice coil diameter | mm | 101 |
| Voice coil length | mm | 26 |
| Air gap height | mm | 10 |

Typical characteristics

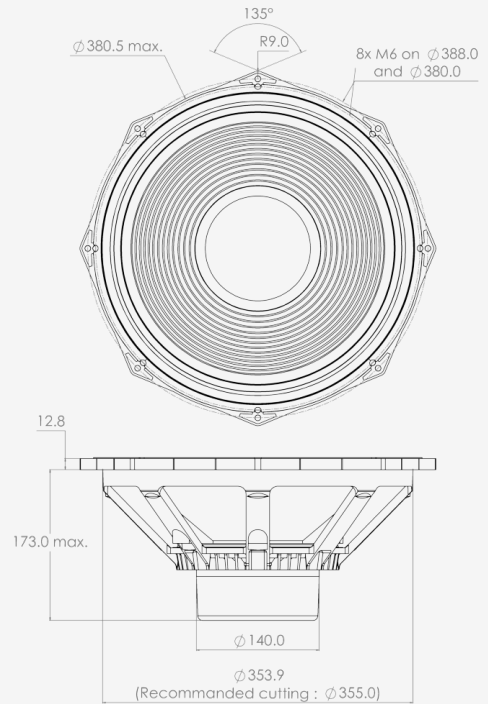
| | | | |
|--------------------------------|--------|--------|------------------|
| Rated impedance | Z | Ω | 8 |
| Half space sensitivity (1W@1m) | - | dB SPL | 95.5 |
| Usable freq. range | - | HZ | 30 - 1000 |
| Power handling capacity (AES) | - | W | 1200 |
| Max Sound Pressure Level | SPLmax | dB SPL | 123 |
| Min. impedance modulus | Zmin | Ω@Hz | 6.6@210 |
| Voice-coil inductance @ 1kHz | Le1k | mH | 1.616 |
| Voice-coil inductance @ 10kHz | Le10k | mH | 1.111 |
| BL product | BL | N/A | 25.5 |
| Moving mass | Mms | kg | 0.150 |

Thiele-Small parameters

| | | | |
|----------------------------|----------------------|----------------------------------|-------------------|
| Resonance frequency | Fs | Hz | 36 (±5) |
| DC Resistance | Re | Ω | 5.4 (±0.5) |
| Mechanical quality factor | Qms | 1 | 3.39 |
| Electrical quality factor | Qes | 1 | 0.28 |
| Total quality factor | Qts | 1 | 0.26 |
| Suspension compliance | Cms | 10 ⁻⁶ .m/N | 130 |
| Effective piston area | Sd | m ² | 0.0871 |
| Equivalent Cas air load | Vas | m ³ | 0.1384 |
| Max linear excursion | Xmax | mm | ± 10.5 |
| Linear displacement volume | Vd | 10 ⁻³ .m ³ | 0.9145 |
| Reference efficiency | H | % | 2.2 |
| Unity load volume | Vas.Qts ² | 10 ⁻³ .m ³ | 9.4 |

Absolute maximum ratings

| | | | |
|-------------------------------|------|----|-------------------|
| Short term max. input voltage | Vmax | V | 195 |
| Max.excursion before damage | Xdam | mm | ± 19 |
| Ambient operating temperature | Ta | °C | -10 to +50 |
| Storage temperature | | °C | -20 to +70 |
| Environmental withstanding | | | Tropical |



Application information

| | | |
|--|----------------------------------|---------------------------|
| Air volume occupied by the driver | 10 ⁻³ .m ³ | 4.2 |
| Speaker net mass | kg | 5.7 |
| Baffle cut-out diameter (front mounting) | mm | 355.0 |
| Bolt number & Metric diameter | - | 8x M6 |
| Bolt circle diameter | mm | 370 and 388 |
| Max overall dimension (on ears) | mm | 406.5 |
| Max overall dimension (out of ears) | mm | 380.5 |
| Flange height | mm | 13.0 |
| Max magnet diameter | mm | 140.0 |
| Max depth (front mounting) | mm | 173.0 |
| Recommended reflex box | Lts / Hz | 100L / 35Hz |
| Electrical connection | - | Ø4 mm Push buttons |