



## 4071NdS-19

Nominal Diameter	12" / 30cm
Rated Impedance	8 Ω
Half space sensitivity (1W@1m)	98.5 dB SPL
Power Handling Capacity	500 W AES
SPL max (continuous)	122 dB SPL
Usable frequency range	50 - 2500 Hz
Speaker net mass	6.2 kg

## 12" low-mid driver / 1.4" coaxial



### Architecture Highlights

- Noiseless Natural Convection Intercooling System
- Front side coated curvilinear cone designed for 2 way systems operation
- Neodymium magnet System with symmetric BL(x) and Le(x) characteristics
- Coaxial apparatus "-19" with 2x M6 on Ø 76.2 mm  
(Max diameter for HF driver = 142.0 mm)

### Motor architecture

Magnet material	-	<b>Nd</b>
Voice coil diameter	mm	<b>77</b>
Voice coil length	mm	<b>17.5</b>
Air gap height	mm	<b>12</b>

### Typical characteristics

Rated impedance	Z	Ω	<b>8</b>
Half space sensitivity (1W@1m)	-	dB SPL	<b>98.5</b>
Usable freq. range	-	Hz	<b>50 - 2500</b>
Power handling capacity (AES)	-	W	<b>500</b>
Max Sound Pressure Level	SPLmax	dB SPL	<b>122</b>
Min. impedance modulus	Zmin	Ω@Hz	<b>6.1@310</b>
Voice-coil inductance @ 1kHz	Le1k	mH	<b>1.286</b>
Voice-coil inductance @ 10kHz	Le10k	mH	<b>0.583</b>
BL product	BL	N/A	<b>28.6</b>
Moving mass	Mms	kg	<b>0.069</b>

### Thiele-Small parameters

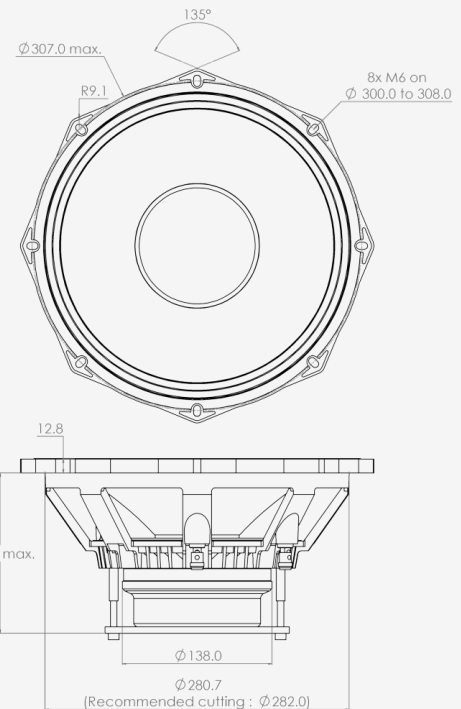
Resonance frequency	Fs	Hz	<b>46 (±6)</b>
DC Resistance	Re	Ω	<b>5 (±0.5)</b>
Mechanical quality factor	Qms	1	<b>4.99</b>
Electrical quality factor	Qes	1	<b>0.12</b>
Total quality factor	Qts	1	<b>0.12</b>
Suspension compliance	Cms	10 <sup>-6</sup> .m/N	<b>170</b>
Effective piston area	Sd	m <sup>2</sup>	<b>0.0493</b>
Equivalent Cas air load	Vas	m <sup>3</sup>	<b>0.0590</b>
Max linear excursion	Xmax	mm	<b>± 6.0</b>
Linear displacement volume	Vd	10 <sup>-3</sup> .m <sup>3</sup>	<b>0.2957</b>
Reference efficiency	H	%	<b>4.5</b>
Unity load volume	Vas.Qts <sup>2</sup>	10 <sup>-3</sup> .m <sup>3</sup>	<b>0.8</b>

### Absolute maximum ratings

Short term max. input voltage	Vmax	V	<b>125</b>
Max.excursion before damage	Xdam	mm	<b>± 16</b>
Ambient operating temperature	Ta	°C	<b>-10 to +50</b>
Storage temperature		°C	<b>-20 to +70</b>
Environmental withstanding			<b>Humidity proof</b>

### Coaxially mounted HF Unit

HF Rated impedance	Z	W	<b>n.a.</b>
HF Half space sensitivity (1W@1m)	-	dB SPL	<b>n.a.</b>
HF Usable freq. range	-	Hz	<b>n.a.</b>
HF Power handling capacity (AES)	-	W	<b>n.a.</b>



### Application information

Air volume occupied by the driver	10 <sup>-3</sup> .m <sup>3</sup>	<b>2.1</b>
Speaker net mass	kg	<b>6.2</b>
Baffle cut-out diameter (front mounting)	mm	<b>282.0</b>
Bolt number & Metric diameter	-	<b>8x M6</b>
Bolt circle diameter	mm	<b>300 to 308</b>
Max overall dimension (on ears)	mm	<b>326.5</b>
Max overall dimension (out of ears)	mm	<b>307.0</b>
Flange height	mm	<b>12.8</b>
Max magnet diameter	mm	<b>138.0</b>
Max depth (front mounting)	mm	<b>148.5</b>
Recommended reflex box	Lts / Hz	<b>-</b>
Electrical connection	-	<b>Ø4 mm Push buttons</b>