



1426

Nominal Diameter	6.5" / 15cm
Rated Impedance	8 Ω
Half space sensitivity (1W@1m)	94 dB SPL
Power Handling Capacity	100 W AES
SPL max (continuous)	110 dB SPL
Usable frequency range	60 - 4000 Hz
Speaker net mass	2.15 kg

6.5 inches low-mid driver



Architecture Highlights

- Double side Coated diaphragm (Tropical withstanding)
- High compliance double half-roll Fabric Surround
- High excursion vented voice coil

Motor architecture

Magnet material	-	Fe
Voice coil diameter	mm	38
Voice coil length	mm	12.5
Air gap height	mm	6

Typical characteristics

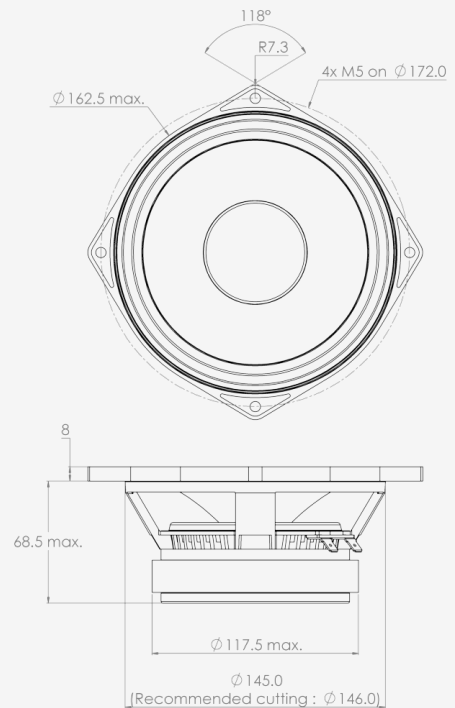
Rated impedance	Z	Ω	8
Half space sensitivity (1W@1m)	-	dB SPL	94.0
Usable freq. range	-	HZ	60 - 4000
Power handling capacity (AES)	-	W	100
Max Sound Pressure Level	SPLmax	dB SPL	110
Min. impedance modulus	Zmin	Ω@Hz	6.6@450
Voice-coil inductance @ 1kHz	Le1k	mH	0.652
Voice-coil inductance @ 10kHz	Le10k	mH	0.288
BL product	BL	N/A	10.3
Moving mass	Mms	kg	0.012

Thiele-Small parameters

Resonance frequency	Fs	Hz	72 (±12)
DC Resistance	Re	Ω	5.8 (±0.6)
Mechanical quality factor	Qms	1	2.14
Electrical quality factor	Qes	1	0.29
Total quality factor	Qts	1	0.26
Suspension compliance	Cms	10 ⁻⁶ .m/N	410
Effective piston area	Sd	m ²	0.0145
Equivalent Cas air load	Vas	m ³	0.0122
Max linear excursion	Xmax	mm	± 4.0
Linear displacement volume	Vd	10 ⁻³ .m ³	0.0581
Reference efficiency	H	%	1.5
Unity load volume	Vas.Qts ²	10 ⁻³ .m ³	0.8

Absolute maximum ratings

Short term max. input voltage	Vmax	V	55
Max.excursion before damage	Xdam	mm	± 6
Ambient operating temperature	Ta	°C	-10 to +50
Storage temperature		°C	-20 to +70
Environmental withstanding		Humidity proof	



Application information

Air volume occupied by the driver	10 ⁻³ .m ³	0.51
Speaker net mass	kg	2.15
Baffle cut-out diameter (front mounting)	mm	146.0
Bolt number & Metric diameter	-	4x M5
Bolt circle diameter	mm	172.0
Max overall dimension (on ears)	mm	187.5
Max overall dimension (out of ears)	mm	162.5
Flange height	mm	8.0
Max magnet diameter	mm	117.5
Max depth (front mounting)	mm	68.5
Recommended reflex box	Lts / Hz	7L / 80Hz
Electrical connection	-	6.35x0.8 FASTON