



4071NdS-19

Nominal Diameter	12" / 30cm
Rated Impedance	8 Ω
Half space sensitivity (1W@1m)	98.5 dB SPL
Power Handling Capacity	500 W AES
SPL max (continuous)	122 dB SPL
Usable frequency range	50 - 2500 Hz
Speaker net mass	6.2 kg

12" low-mid driver / 1.4" coaxial



Architecture Highlights

- Noiseless Natural Convection Intercooling System
- Front side coated curvilinear cone designed for 2 way systems operation
- Neodymium magnet System with symmetric BL(x) and Le(x) characteristics
- Coaxial apparatus "-19" with 2x M6 on Ø 76.2 mm
(Max diameter for HF driver = 142.0 mm)

Motor architecture

Magnet material	-	Nd
Voice coil diameter	mm	77
Voice coil length	mm	17.5
Air gap height	mm	12

Typical characteristics

Rated impedance	Z	Ω	8
Half space sensitivity (1W@1m)	-	dB SPL	98.5
Usable freq. range	-	Hz	50 - 2500
Power handling capacity (AES)	-	W	500
Max Sound Pressure Level	SPLmax	dB SPL	122
Min. impedance modulus	Zmin	Ω@Hz	6.1@310
Voice-coil inductance @ 1kHz	Le1k	mH	1.286
Voice-coil inductance @ 10kHz	Le10k	mH	0.583
BL product	BL	N/A	28.6
Moving mass	Mms	kg	0.069

Thiele-Small parameters

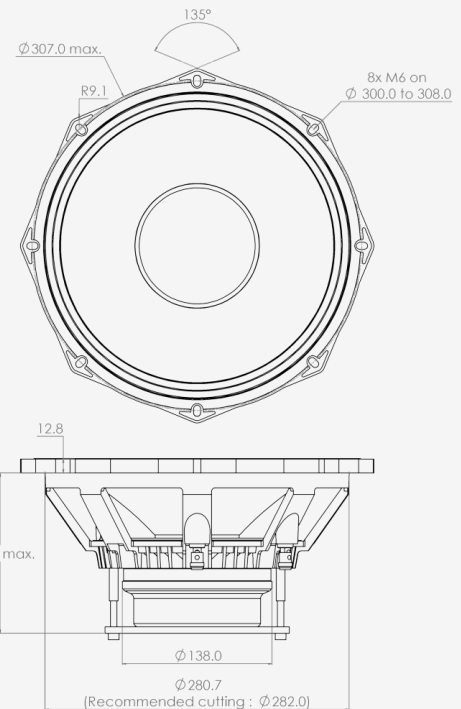
Resonance frequency	Fs	Hz	46 (±6)
DC Resistance	Re	Ω	5 (±0.5)
Mechanical quality factor	Qms	1	4.99
Electrical quality factor	Qes	1	0.12
Total quality factor	Qts	1	0.12
Suspension compliance	Cms	10 ⁻⁶ .m/N	170
Effective piston area	Sd	m ²	0.0493
Equivalent Cas air load	Vas	m ³	0.0590
Max linear excursion	Xmax	mm	± 6.0
Linear displacement volume	Vd	10 ⁻³ .m ³	0.2957
Reference efficiency	H	%	4.5
Unity load volume	Vas.Qts ²	10 ⁻³ .m ³	0.8

Absolute maximum ratings

Short term max. input voltage	Vmax	V	125
Max.excursion before damage	Xdam	mm	± 16
Ambient operating temperature	Ta	°C	-10 to +50
Storage temperature		°C	-20 to +70
Environmental withstanding			Humidity proof

Coaxially mounted HF Unit

HF Rated impedance	Z	W	n.a.
HF Half space sensitivity (1W@1m)	-	dB SPL	n.a.
HF Usable freq. range	-	Hz	n.a.
HF Power handling capacity (AES)	-	W	n.a.



Application information

Air volume occupied by the driver	10 ⁻³ .m ³	2.1
Speaker net mass	kg	6.2
Baffle cut-out diameter (front mounting)	mm	282.0
Bolt number & Metric diameter	-	8x M6
Bolt circle diameter	mm	300 to 308
Max overall dimension (on ears)	mm	326.5
Max overall dimension (out of ears)	mm	307.0
Flange height	mm	12.8
Max magnet diameter	mm	138.0
Max depth (front mounting)	mm	148.5
Recommended reflex box	Lts / Hz	-
Electrical connection	-	Ø4 mm Push buttons