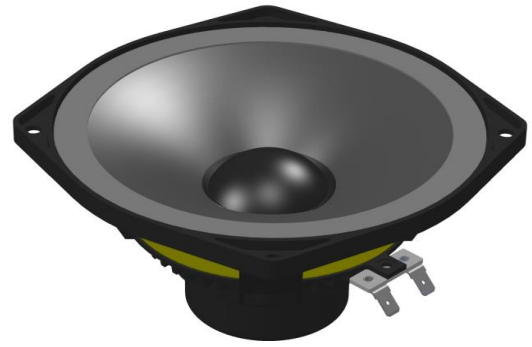




1120NdU

Nominal Diameter	6.5 " / 17 cm
Rated Impedance	8
Sensitivity	94.5 dB SPL
Power Handling Capacity	130 W AES
SPL max (continuous)	113 dB SPL
Usable frequency range	300 - 5000 Hz
Speaker net mass	1.25 kg

6.5 inches midrange driver



Architecture highlights :

- Midrange unit with critical damping diaphragm
- Ultra light vented CCAR voice coil
- Natural convection Intercooler System
- Flat foam surround

Motor architecture

Magnet material	-	Nd
Voice coil diameter	mm	38
Voice coil length	mm	10
Air gap height	mm	6

Typical characteristics

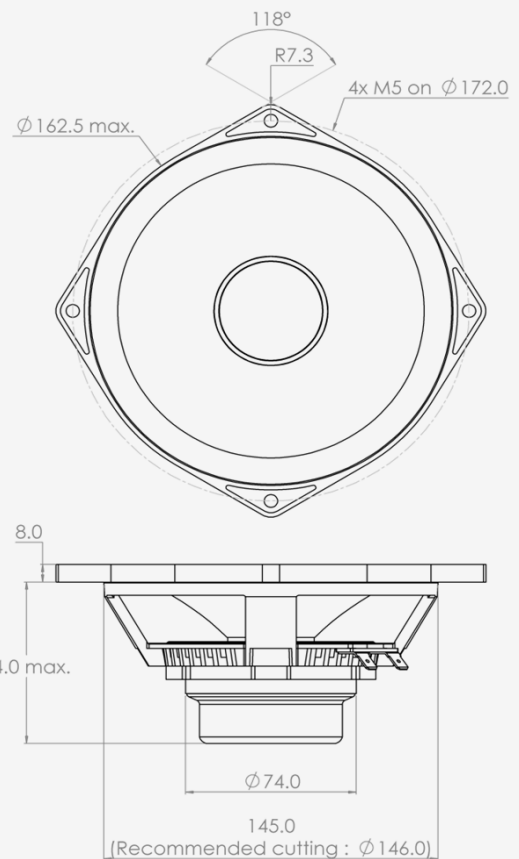
Rated impedance	Z	Ω	8
Half space sensitivity (1W@1m)	-	dB SPL	94.5
Usable freq. range	-	Hz	300 - 5000
Power handling capacity (AES)	-	W	130
Max Sound Pressure Level	SPL _{max}	dB SPL	113
Min. impedance modulus	Z _{min}	Ω@Hz	5.8@680
Voice-coil inductance @ 1kHz	Le _{1k}	mH	0.516
Voice-coil inductance @ 10kHz	Le _{10k}	mH	0.212
BL product	BL	N/A	8.5
Moving mass	M _{ms}	kg	0.0099

Thiele-Small parameters

Resonance frequency	F _s	Hz	135 (±25)
DC Resistance	Re	Ω	5.4 (±0.5)
Mechanical quality factor	Q _{ms}	1	5.25
Electrical quality factor	Q _{es}	1	0.63
Total quality factor	Q _{ts}	1	0.56
Suspension compliance	C _{ms}	10 ⁻⁶ .m/N	140
Effective piston area	S _d	m ²	0.0150
Equivalent Cas air load	V _{as}	m ³	0.0044
Max linear excursion	X _{max}	mm	± 2.0
Linear displacement volume	V _d	10 ⁻³ .m ³	0.0299
Reference efficiency	η ₀	%	1.7
Unity load volume	V _{as} .Q _{ts} ²	10 ⁻³ .m ³	1.4

Absolute maximum ratings

Short term max. input voltage	V _{max}	V	65
Max.excursion before damage	X _{dam}	mm	± 4.0
Ambient operating temperature	T _a	°C	-10 to +50
Storage temperature		°C	-20 to +70
Environmental withstanding			tropical



Mounting information

Air volume occupied by the driver	10 ⁻³ .m ³	0.35
Speaker net mass	kg	1.25
Baffle cut-out diameter (front mounting)	mm	146.0
Bolt number & Metric diameter	-	4x M5
Bolt circle diameter	mm	172.0
Max overall dimension (on ears)	mm	187.5
Max overall dimension (out of ears)	mm	162.5
Flange height	mm	8.0
Max magnet diameter	mm	74.0
Max depth (front mounting)	mm	74.0
Recommended reflex box	Lts / Hz	-
Electrical connection		6.35x0.8 FASTON

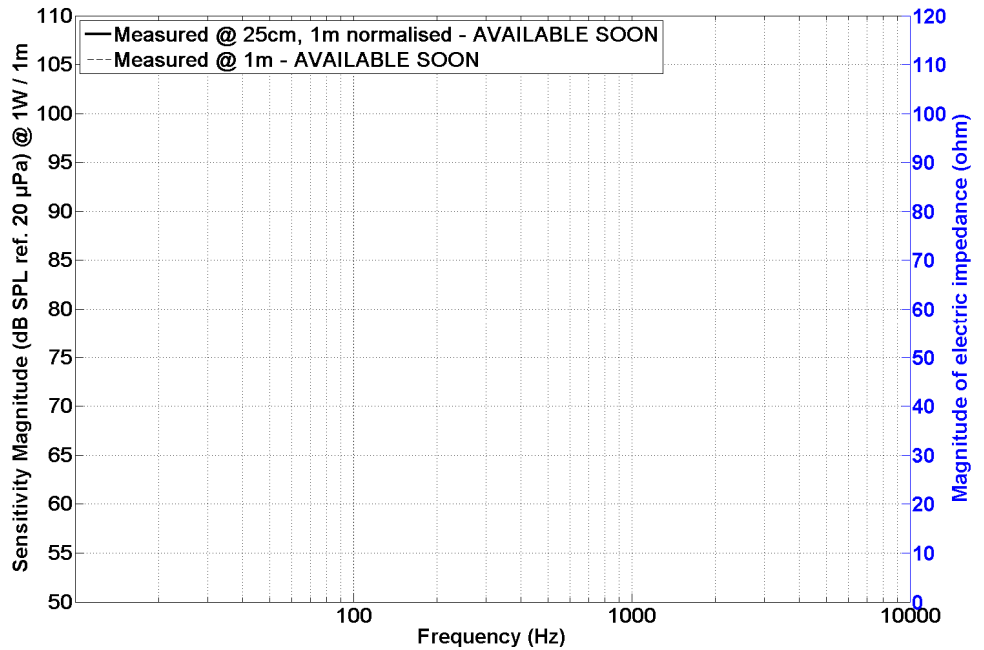


1120NdU

6.5 inches midrange driver

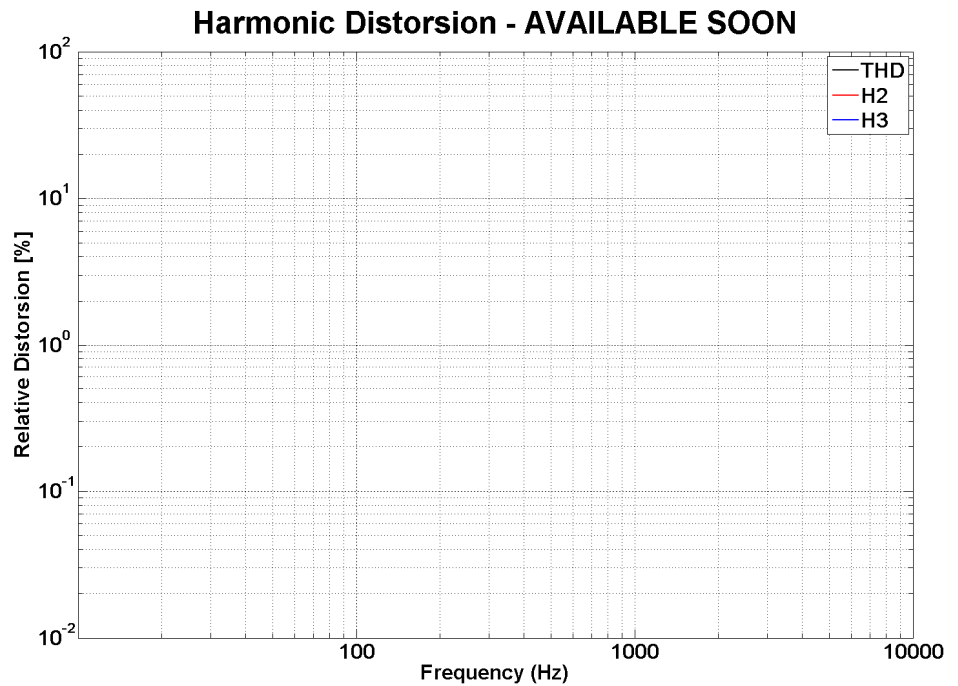
SPL curves measured on CEI standard baffle :

- . at 25 cm, normalised 1 m
- . at 1 m for reference
- . Graph amplitude = 60 dB (PHL Audio standard)



HD curve measured on CEI standard baffle :

- . at 1 meter
- . at power = $P_{AES} / 4$
- . Graph amplitude 0.01 % to 100 % (PHL Audio standard for $P_{AES}/4$)



Non linear curves measured thanks to Klippel software and hardware, in free air

