



1362

Nominal Diameter	6.5 " / 17 cm
Rated Impedance	8
Sensitivity	90.5 dB SPL
Power Handling Capacity	100 W AES
SPL max (continuous)	107 dB SPL
Usable frequency range	40 - 4000 Hz
Speaker net mass	2.35 kg

6.5 inches bass driver



Architecture highlights :

- High excursion half roll rubber surround
- High definition ultra light CCAR Voice coil
- Natural convection Intercooler System
- Both side coated curvilinear cone

Motor architecture

Magnet material	-	Fe
Voice coil diameter	mm	38
Voice coil length	mm	16
Air gap height	mm	6

Typical characteristics

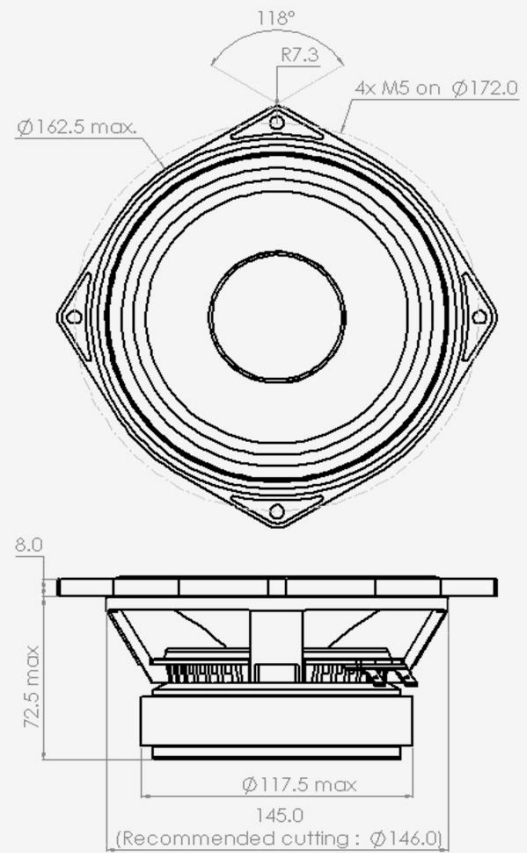
Rated impedance	Z	Ω	8
Half space sensitivity (1W@1m)	-	dB SPL	90.5
Usable freq. range	-	Hz	40 - 4000
Power handling capacity (AES)	-	W	100
Max Sound Pressure Level	SPL _{max}	dB SPL	107
Min. impedance modulus	Z _{min}	Ω@Hz	6.5@400
Voice-coil inductance @ 1kHz	Le _{1k}	mH	0.624
Voice-coil inductance @ 10kHz	Le _{10k}	mH	0.217
BL product	BL	N/A	8.1
Moving mass	M _{ms}	kg	0.0139

Thiele-Small parameters

Resonance frequency	F _s	Hz	39 (±5)
DC Resistance	Re	Ω	5.8 (±0.6)
Mechanical quality factor	Q _{ms}	1	4.93
Electrical quality factor	Q _{es}	1	0.30
Total quality factor	Q _{ts}	1	0.28
Suspension compliance	C _{ms}	10 ⁻⁶ .m/N	1200
Effective piston area	S _d	m ²	0.0143
Equivalent Cas air load	V _{as}	m ³	0.0348
Max linear excursion	X _{max}	mm	± 5.0
Linear displacement volume	V _d	10 ⁻³ .m ³	0.0716
Reference efficiency	η ₀	%	0.7
Unity load volume	V _{as} .Q _{ts} ²	10 ⁻³ .m ³	2.8

Absolute maximum ratings

Short term max. input voltage	V _{max}	V	55
Max.excursion before damage	X _{dam}	mm	± 10.0
Ambient operating temperature	T _a	°C	-10 to +50
Storage temperature		°C	-20 to +70
Environmental withstanding			tropical



Mounting information

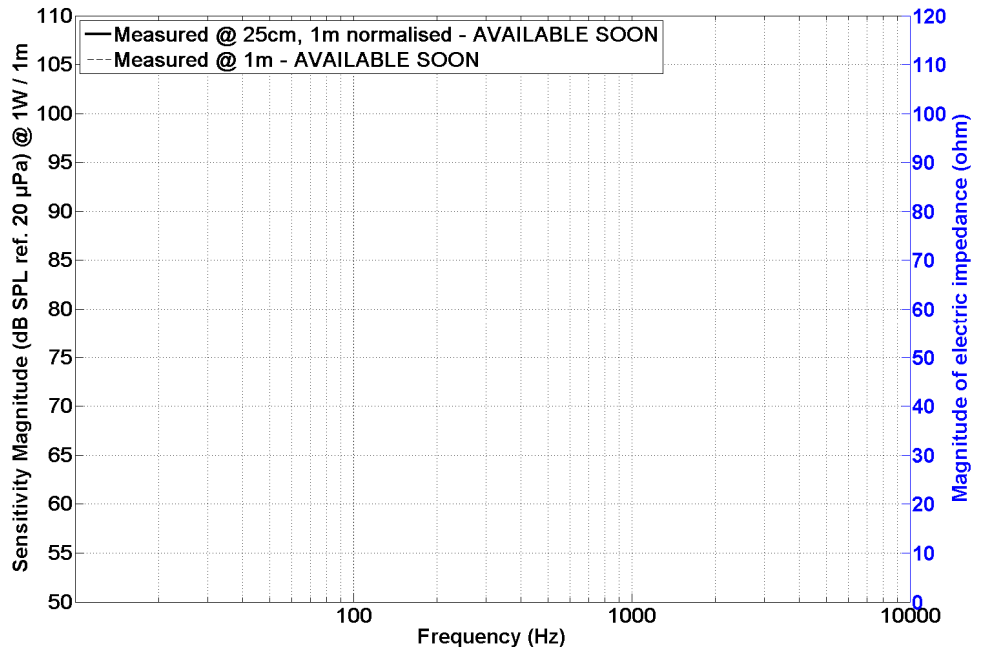
Air volume occupied by the driver	10 ⁻³ .m ³	0.50
Speaker net mass	kg	2.35
Baffle cut-out diameter (front mounting)	mm	146.0
Bolt number & Metric diameter	-	4x M5
Bolt circle diameter	mm	172.0
Max overall dimension (on ears)	mm	187.5
Max overall dimension (out of ears)	mm	162.5
Flange height	mm	8.0
Max magnet diameter	mm	117.5
Max depth (front mounting)	mm	72.5
Recommended reflex box	Lts / Hz	-
Electrical connection		6.35x0.8 FASTON



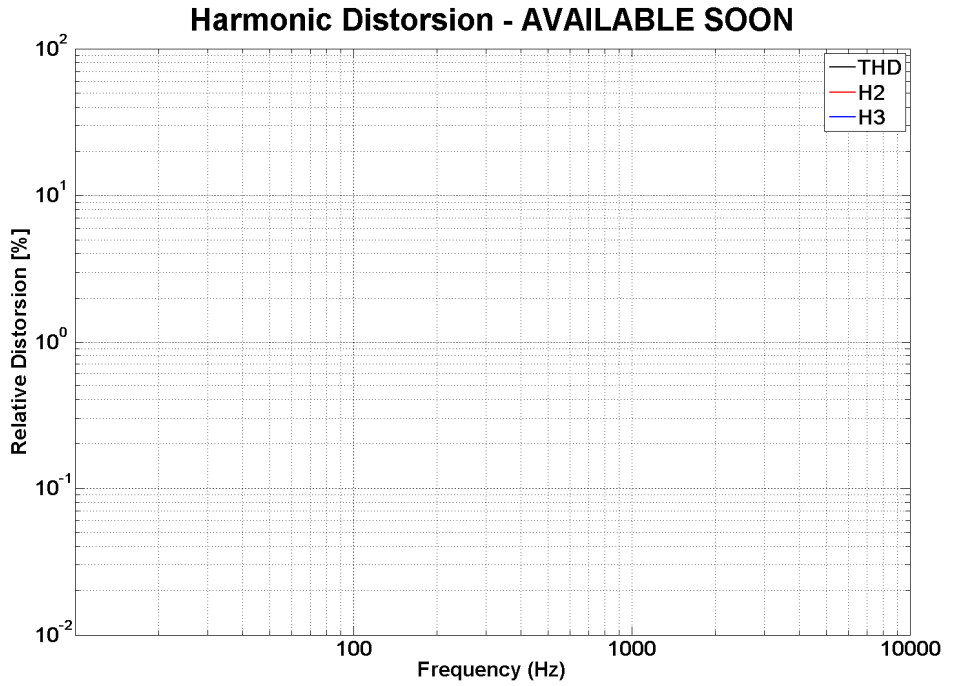
1362

6.5 inches bass driver

SPL curves measured on CEI standard baffle :
 . at 25 cm, normalised 1 m
 . at 1 m for reference
 . Graph amplitude = 60 dB
 (PHL Audio standard)



HD curve measured on CEI standard baffle :
 . at 1 meter
 . at power = $P_{AES} / 4$
 . Graph amplitude 0.01 % to 100 %
 (PHL Audio standard for $P_{AES}/4$)



Non linear curves measured thanks to Klippel software and hardware, in free air

