



# 1426NdU

Nominal Diameter	6.5 " / 17 cm
Rated Impedance	8
Sensitivity	94 dB SPL
Power Handling Capacity	100 W AES
SPL max (continuous)	111 dB SPL
Usable frequency range	60 - 4000 Hz
Speaker net mass	1.25 kg

# 6.5 inches low-mid driver



### Architecture highlights :

- Double side Coated diaphragm (Tropical withstanding)
- High compliance double half-roll Fabric Surround
- High excursion vented voice coil

### Motor architecture

Magnet material	-	Nd
Voice coil diameter	mm	38
Voice coil length	mm	12.5
Air gap height	mm	6

### Typical characteristics

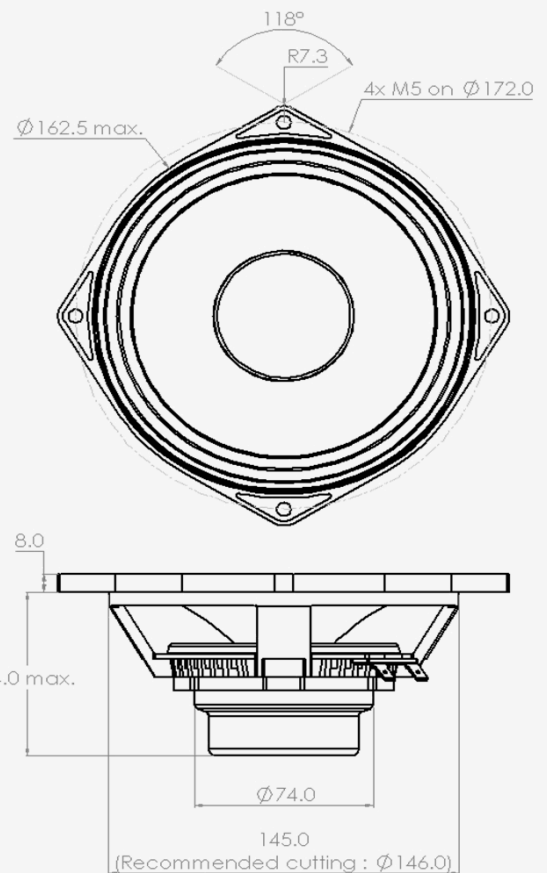
Rated impedance	Z	Ω	8
Half space sensitivity (1W@1m)	-	dB SPL	94.0
Usable freq. range	-	Hz	60 - 4000
Power handling capacity (AES)	-	W	100
Max Sound Pressure Level	SPL <sub>max</sub>	dB SPL	111
Min. impedance modulus	Z <sub>min</sub>	Ω@Hz	6.6@450
Voice-coil inductance @ 1kHz	Le <sub>1k</sub>	mH	0.652
Voice-coil inductance @ 10kHz	Le <sub>10k</sub>	mH	0.288
BL product	BL	N/A	10.3
Moving mass	M <sub>ms</sub>	kg	0.0118

### Thiele-Small parameters

Resonance frequency	F <sub>s</sub>	Hz	72 (±12)
DC Resistance	Re	Ω	5.8 (±0.6)
Mechanical quality factor	Q <sub>ms</sub>	1	2.14
Electrical quality factor	Q <sub>es</sub>	1	0.29
Total quality factor	Q <sub>ts</sub>	1	0.26
Suspension compliance	C <sub>ms</sub>	10 <sup>-6</sup> .m/N	410
Effective piston area	S <sub>d</sub>	m <sup>2</sup>	0.0145
Equivalent Cas air load	V <sub>as</sub>	m <sup>3</sup>	0.0124
Max linear excursion	X <sub>max</sub>	mm	± 4.0
Linear displacement volume	V <sub>d</sub>	10 <sup>-3</sup> .m <sup>3</sup>	0.0581
Reference efficiency	η <sub>0</sub>	%	1.5
Unity load volume	V <sub>as</sub> .Q <sub>ts</sub> <sup>2</sup>	10 <sup>-3</sup> .m <sup>3</sup>	0.8

### Absolute maximum ratings

Short term max. input voltage	V <sub>max</sub>	V	55
Max.excursion before damage	X <sub>dam</sub>	mm	± 10.0
Ambient operating temperature	T <sub>a</sub>	°C	-10 to +50
Storage temperature		°C	-20 to +70
Environmental withstanding			Humidity proof



### Mounting information

Air volume occupied by the driver	10 <sup>-3</sup> .m <sup>3</sup>	0.35
Speaker net mass	kg	1.25
Baffle cut-out diameter (front mounting)	mm	146.0
Bolt number & Metric diameter	-	4x M5
Bolt circle diameter	mm	172.0
Max overall dimension (on ears)	mm	187.5
Max overall dimension (out of ears)	mm	162.5
Flange height	mm	8.0
Max magnet diameter	mm	74.0
Max depth (front mounting)	mm	74.0
Recommended reflex box	Lts / Hz	-
Electrical connection		6.35x0.8 FASTON



# 1426NdU

# 6.5 inches low-mid driver

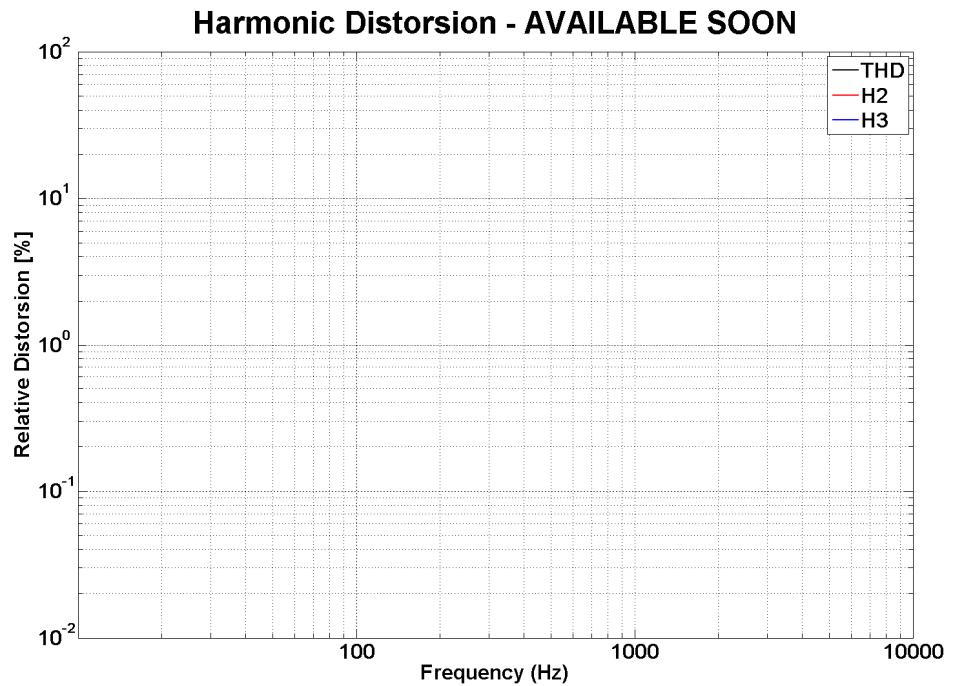
SPL curves measured on CEI standard baffle :

- . at 25 cm, normalised 1 m
- . at 1 m for reference
- . Graph amplitude = 60 dB (PHL Audio standard)



HD curve measured on CEI standard baffle :

- . at 1 meter
- . at power =  $P_{AES} / 4$
- . Graph amplitude 0.01 % to 100 % (PHL Audio standard for  $P_{AES}/4$ )



Non linear curves measured thanks to Klippel software and hardware, in free air

