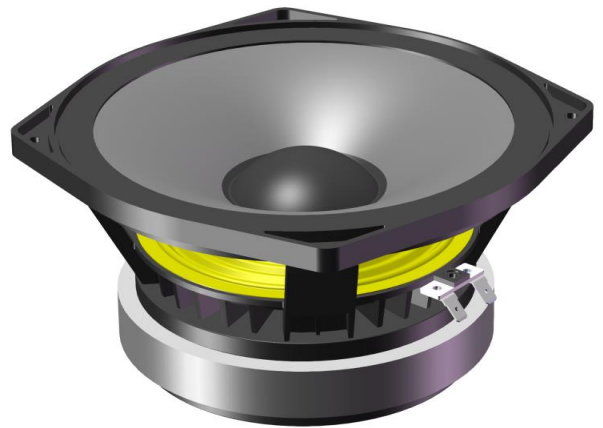




2520

Nominal Diameter	8" / 20 cm
Rated Impedance	8
Sensitivity	97 dB SPL
Power Handling Capacity	200 W AES
SPL max (continuous)	116 dB SPL
Usable frequency range	200 - 5000 Hz
Speaker net mass	4.5 kg

8 inches midrange driver



Architecture highlights :

- Midrange unit with critical damping diaphragm
- Ultra light CCAR voice coil
- Natural convection Intercooler System

Motor architecture

Magnet material	-	Fe
Voice coil diameter	mm	51
Voice coil length	mm	10
Air gap height	mm	8

Typical characteristics

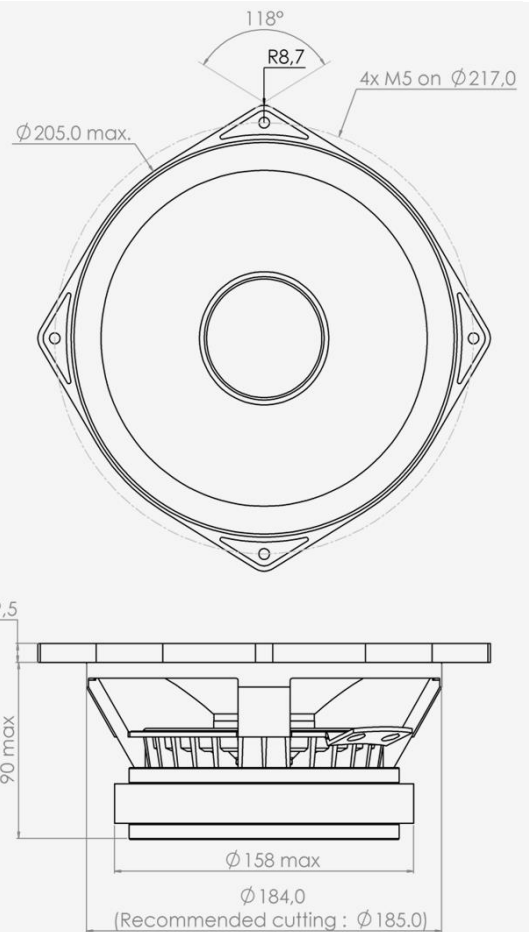
Rated impedance	Z	Ω	8
Half space sensitivity (1W@1m)	-	dB SPL	97.0
Usable freq. range	-	Hz	200 - 5000
Power handling capacity (AES)	-	W	200
Max Sound Pressure Level	SPL _{max}	dB SPL	116
Min. impedance modulus	Z _{min}	Ω @Hz	7@550
Voice-coil inductance @ 1kHz	Le _{1k}	mH	1.018
Voice-coil inductance @ 10kHz	Le _{10k}	mH	0.450
BL product	BL	N/A	14.3
Moving mass	Mms	kg	0.0193

Thiele-Small parameters

Resonance frequency	Fs	Hz	109 (± 25)
DC Resistance	Re	Ω	5.6 (± 0.6)
Mechanical quality factor	Qms	1	3.31
Electrical quality factor	Qes	1	0.37
Total quality factor	Qts	1	0.33
Suspension compliance	Cms	10 ⁻⁶ .m/N	110
Effective piston area	Sd	m ²	0.0241
Equivalent Cas air load	Vas	m ³	0.0090
Max linear excursion	Xmax	mm	± 2.0
Linear displacement volume	Vd	10 ⁻³ .m ³	0.0481
Reference efficiency	η_0	%	3.1
Unity load volume	Vas.Qts ²	10 ⁻³ .m ³	1.0

Absolute maximum ratings

Short term max. input voltage	Vmax	V	80
Max. excursion before damage	Xdam	mm	± 4.0
Ambient operating temperature	Ta	$^{\circ}\text{C}$	-10 to +50
Storage temperature		$^{\circ}\text{C}$	-20 to +70
Environmental withstanding			Humidity proof



Mounting information

Air volume occupied by the driver	10 ⁻³ .m ³	1.00
Speaker net mass	kg	4.50
Baffle cut-out diameter (front mounting)	mm	185.0
Bolt number & Metric diameter	-	4x M5
Bolt circle diameter	mm	217.0
Max overall dimension (on ears)	mm	234.0
Max overall dimension (out of ears)	mm	205.0
Flange height	mm	9.5
Max magnet diameter	mm	158.0
Max depth (front mounting)	mm	90.0
Recommended reflex box	Lts / Hz	-
Electrical connection		6.35x0.8 FASTON

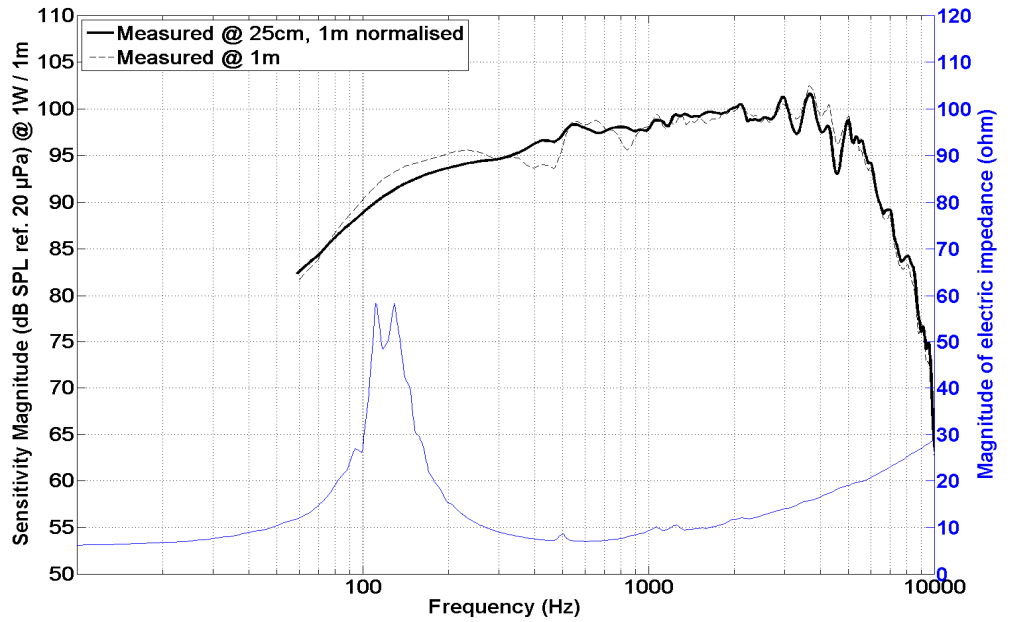


2520

8 inches midrange driver

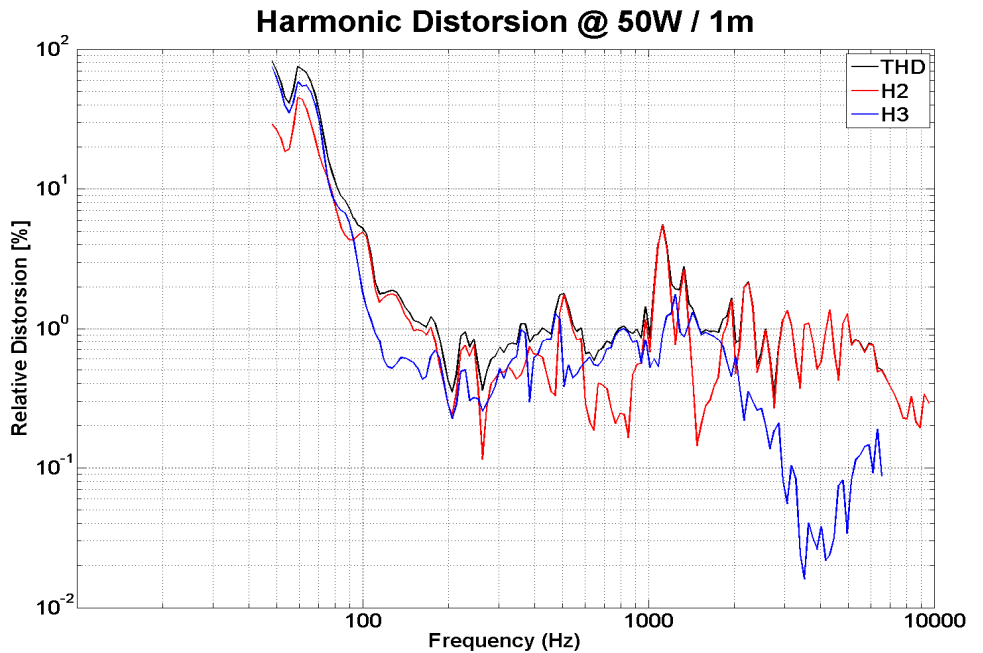
SPL curves measured on CEI standard baffle :

- . at 25 cm, normalised 1 m
- . at 1 m for reference
- . Graph amplitude = 60 dB (PHL Audio standard)



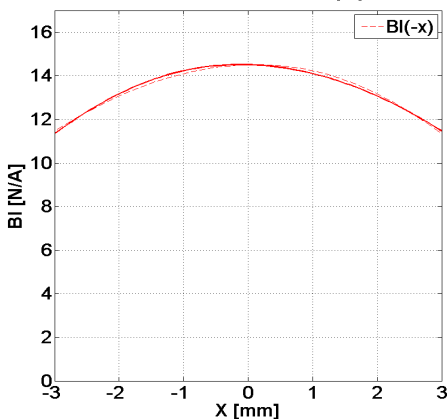
HD curve measured on CEI standard baffle :

- . at 1 meter
- . at power = $P_{AES} / 4$
- . Graph amplitude 0.01 % to 100 % (PHL Audio standard for $P_{AES}/4$)

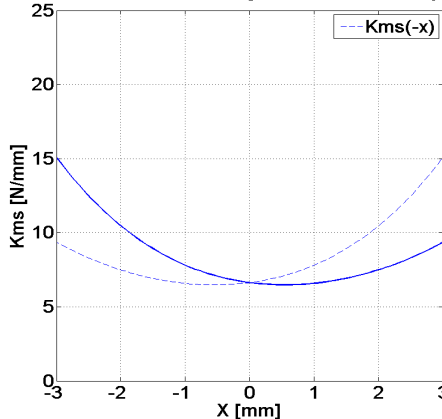


Non linear curves measured thanks to Klippel software and hardware, in free air

Force factor $BI(x)$



Stiffness of suspension $Kms(X)$



Electrical inductance $L(X,I=0)$

