



2720

Nominal Diameter	8 " / 20 cm
Rated Impedance	8
Sensitivity	93.5 dB SPL
Power Handling Capacity	350 W AES
SPL max (continuous)	115 dB SPL
Usable frequency range	40 - 3000 Hz
Speaker net mass	3.65 kg

8" bass driver



Architecture highlights :

- Noiseless natural convection Intercooling System
- 2.80 kg lightweight ferrite magnet system with symmetric BL(x)
- High excursion suspension designed for large signal

Motor architecture

Magnet material	-	Fe
Voice coil diameter	mm	51
Voice coil length	mm	22
Air gap height	mm	9

Typical characteristics

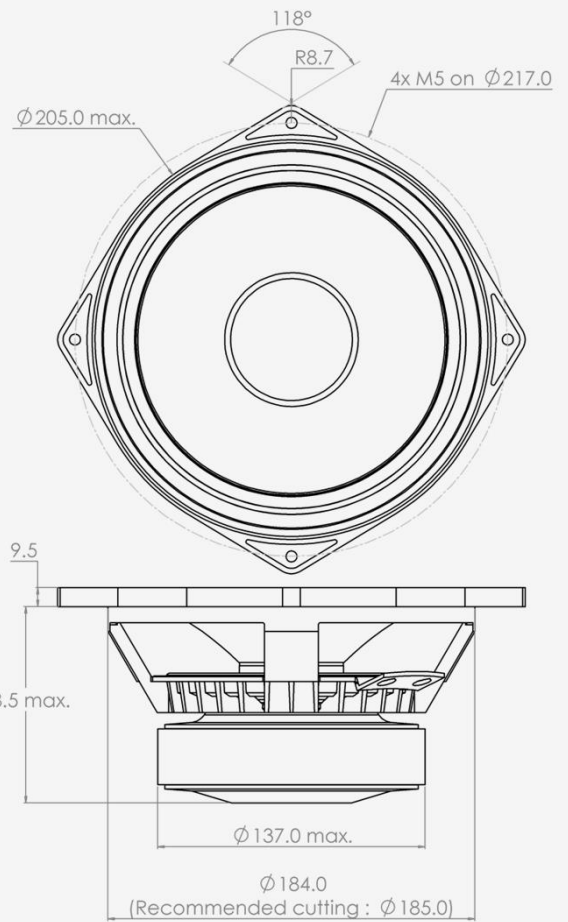
Rated impedance	Z	Ω	8
Half space sensitivity (1W@1m)	-	dB SPL	93.5
Usable freq. range	-	Hz	40 - 3000
Power handling capacity (AES)	-	W	350
Max Sound Pressure Level	SPL _{max}	dB SPL	115
Min. impedance modulus	Z _{min}	Ω @Hz	7.1@280
Voice-coil inductance @ 1kHz	Le _{1k}	mH	1.114
Voice-coil inductance @ 10kHz	Le _{10k}	mH	0.400
BL product	BL	N/A	12.6
Moving mass	Mms	kg	0.0250

Thiele-Small parameters

Resonance frequency	Fs	Hz	50 (± 10)
DC Resistance	Re	Ω	5.5 (± 0.6)
Mechanical quality factor	Qms	1	3.76
Electrical quality factor	Qes	1	0.27
Total quality factor	Qts	1	0.26
Suspension compliance	Cms	10^{-6} .m/N	400
Effective piston area	Sd	m ²	0.0227
Equivalent Cas air load	Vas	m ³	0.0292
Max linear excursion	Xmax	mm	± 9.0
Linear displacement volume	Vd	10^{-3} .m ³	0.2043
Reference efficiency	η_0	%	1.3
Unity load volume	Vas.Qts ²	10^{-3} .m ³	1.9

Absolute maximum ratings

Short term max. input voltage	Vmax	V	105
Max.excursion before damage	Xdam	mm	± 19.0
Ambient operating temperature	Ta	$^{\circ}$ C	-10 to +50
Storage temperature		$^{\circ}$ C	-20 to +70
Environmental withstanding			Tropical



Mounting information

Air volume occupied by the driver	10^{-3} .m ³	0.9
Speaker net mass	kg	3.65
Baffle cut-out diameter (front mounting)	mm	185.0
Bolt number & Metric diameter	-	4x M5
Bolt circle diameter	mm	217.0
Max overall dimension (on ears)	mm	234.5
Max overall dimension (out of ears)	mm	204.0
Flange height	mm	9.5
Max magnet diameter	mm	137.0
Max depth (front mounting)	mm	98.5
Recommended reflex box	Lts / Hz	-
Electrical connection		6.35x0.8 + 4.8x0.5 FASTON

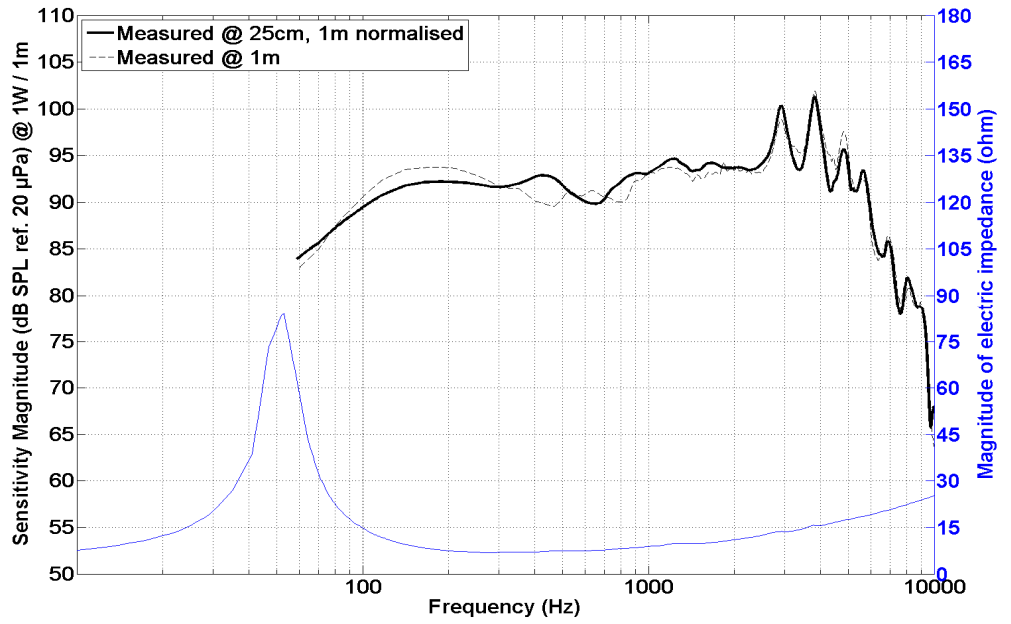


2720

8" bass driver

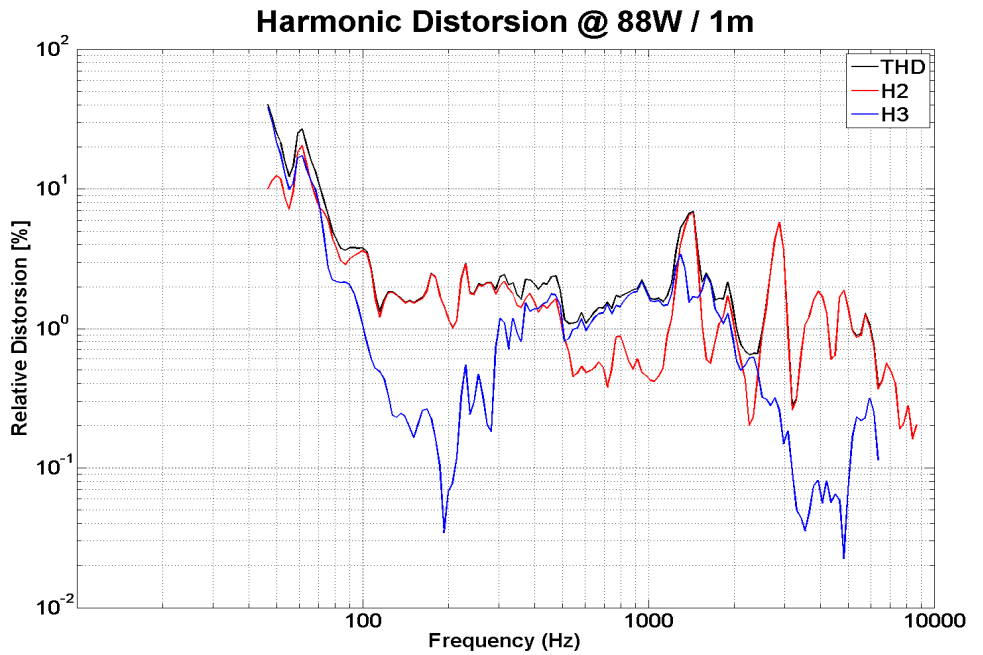
SPL curves measured on CEI standard baffle :

- . at 25 cm, normalised 1 m
- . at 1 m for reference
- . Graph amplitude = 60 dB (PHL Audio standard)



HD curve measured on CEI standard baffle :

- . at 1 meter
- . at power = $P_{AES} / 4$
- . Graph amplitude 0.1 % to 100 % (PHL Audio standard for $P_{AES}/4$)



Non linear curves measured thanks to Klippel software and hardware, in free air

