



4051

Nominal Diameter	12 " / 30 cm
Rated Impedance	8
Sensitivity	99 dB SPL
Power Handling Capacity	300 W AES
SPL max (continuous)	120 dB SPL
Usable frequency range	50 - 2500 Hz
Speaker net mass	8.8 kg

12" low-mid driver



Architecture highlights :

- Natural convection Intercooling System
- High compliance double half-roll fabric surround

Motor architecture

Magnet material	-	Fe
Voice coil diameter	mm	77
Voice coil length	mm	15
Air gap height	mm	10

Typical characteristics

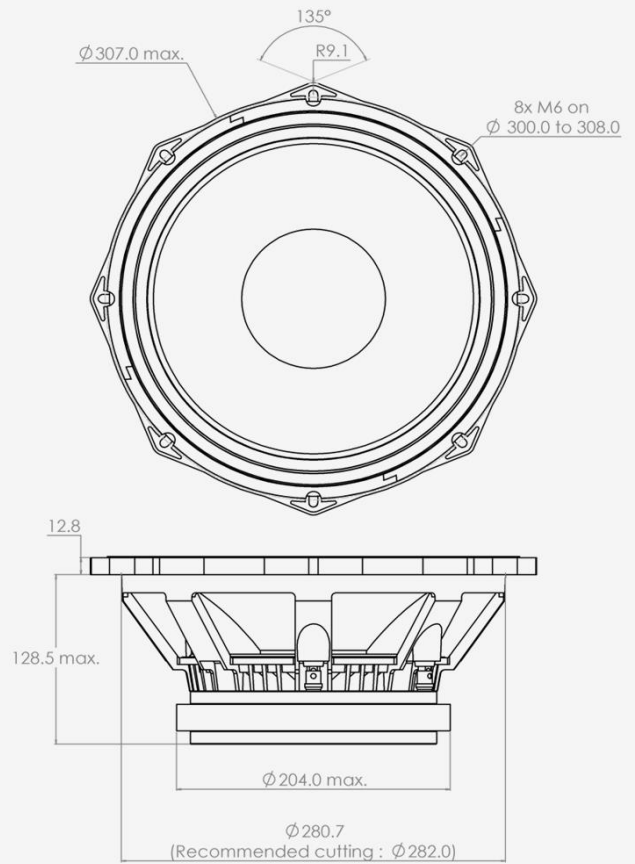
Rated impedance	Z	Ω	8
Half space sensitivity (1W@1m)	-	dB SPL	99.0
Usable freq. range	-	Hz	50 - 2500
Power handling capacity (AES)	-	W	300
Max Sound Pressure Level	SPL _{max}	dB SPL	120
Min. impedance modulus	Z _{min}	Ω@Hz	6.9@430
Voice-coil inductance @ 1kHz	Le _{1k}	mH	1.126
Voice-coil inductance @ 10kHz	Le _{10k}	mH	0.512
BL product	BL	N/A	20.9
Moving mass	M _{ms}	kg	0.0510

Thiele-Small parameters

Resonance frequency	F _s	Hz	49 (±7)
DC Resistance	Re	Ω	5.8 (±0.6)
Mechanical quality factor	Q _{ms}	1	3.27
Electrical quality factor	Q _{es}	1	0.21
Total quality factor	Q _{ts}	1	0.20
Suspension compliance	C _{ms}	10 ⁻⁶ .m/N	210
Effective piston area	S _d	m ²	0.0539
Equivalent Cas air load	V _{as}	m ³	0.0852
Max linear excursion	X _{max}	mm	± 5.0
Linear displacement volume	V _d	10 ⁻³ .m ³	0.2696
Reference efficiency	η ₀	%	4.7
Unity load volume	V _{as} .Q _{ts} ²	10 ⁻³ .m ³	3.3

Absolute maximum ratings

Short term max. input voltage	V _{max}	V	100
Max. excursion before damage	X _{dam}	mm	± 16.0
Ambient operating temperature	T _a	°C	-10 to +50
Storage temperature		°C	-20 to +70
Environmental withstanding			Humidity proof



Mounting information

Air volume occupied by the driver	10 ⁻³ .m ³	2.70
Speaker net mass	kg	8.80
Baffle cut-out diameter (front mounting)	mm	282.0
Bolt number & Metric diameter	-	8x M6
Bolt circle diameter	mm	300 to 308
Max overall dimension (on ears)	mm	326.5
Max overall dimension (out of ears)	mm	307.0
Flange height	mm	12.8
Max magnet diameter	mm	204.0
Max depth (front mounting)	mm	128.5
Recommended reflex box	Lts / Hz	-
Electrical connection		Ø4 mm Push buttons



4051

12" low-mid driver

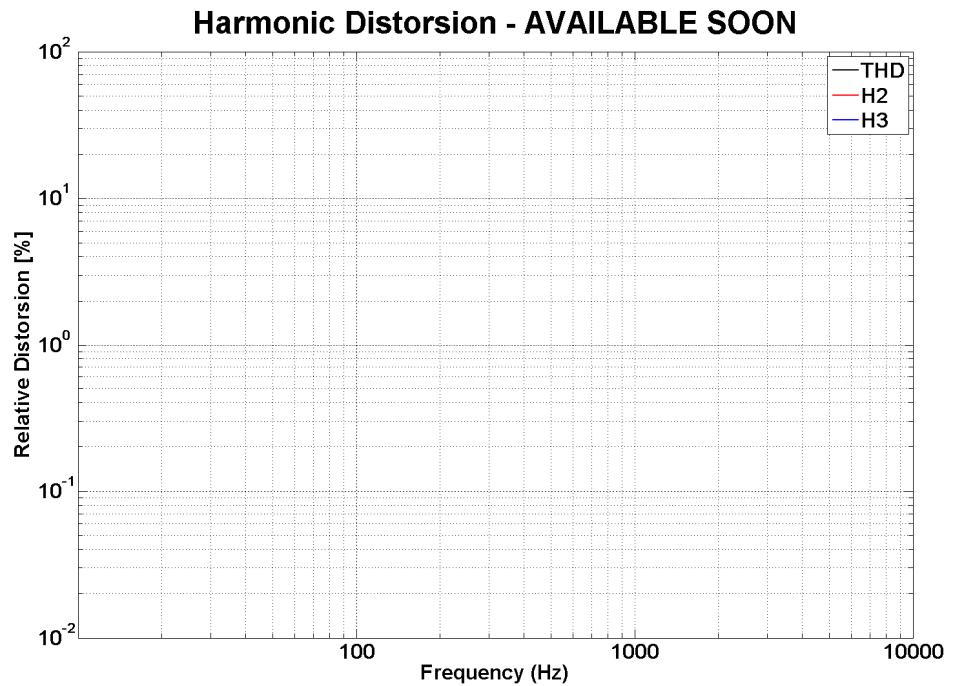
SPL curves measured on CEI standard baffle :

- . at 25 cm, normalised 1 m
- . at 1 m for reference
- . Graph amplitude = 60 dB (PHL Audio standard)



HD curve measured on CEI standard baffle :

- . at 1 meter
- . at power = $P_{AES} / 4$
- . Graph amplitude 0.01 % to 100 % (PHL Audio standard for $P_{AES}/4$)



Non linear curves measured thanks to Klippel software and hardware, in free air

