



6031M

Nominal Diameter	15" / 38 cm
Rated Impedance	8
Sensitivity	97 dB SPL
Power Handling Capacity	1000 W AES
SPL max (continuous)	123 dB SPL
Usable frequency range	35 - 1000 Hz
Speaker net mass	9.1 kg

15 inches bass driver



Architecture highlights :

- Ultra light injection molded Magnesium basket
- Natural convection Intercooling system for noiseless sound reproduction
- Front side coated diaphragm
- High compliance double half-roll fabric surround

Motor architecture

Magnet material	-	Fe
Voice coil diameter	mm	101
Voice coil length	mm	22
Air gap height	mm	10

Typical characteristics

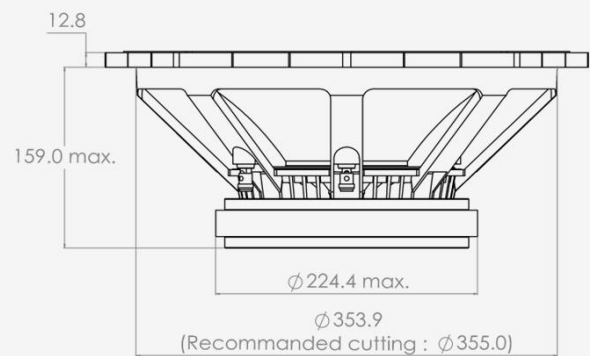
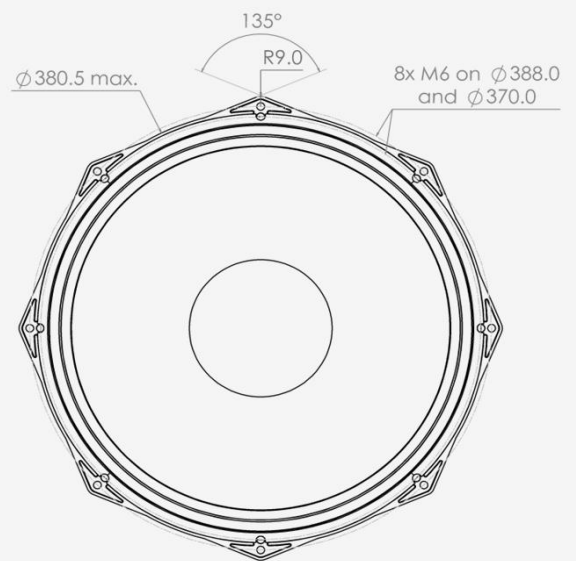
Rated impedance	Z	Ω	8
Half space sensitivity (1W@1m)	-	dB SPL	97.0
Usable freq. range	-	Hz	35 - 1000
Power handling capacity (AES)	-	W	1000
Max Sound Pressure Level	SPL _{max}	dB SPL	123
Min. impedance modulus	Z _{min}	Ω @Hz	6.9@220
Voice-coil inductance @ 1kHz	Le _{1k}	mH	2.060
Voice-coil inductance @ 10kHz	Le _{10k}	mH	0.919
BL product	BL	N/A	29.0
Moving mass	M _{ms}	kg	0.1500

Thiele-Small parameters

Resonance frequency	F _s	Hz	39 (±5)
DC Resistance	Re	Ω	5.6 (±0.6)
Mechanical quality factor	Q _{ms}	1	4.10
Electrical quality factor	Q _{es}	1	0.25
Total quality factor	Q _{ts}	1	0.23
Suspension compliance	C _{ms}	10 ⁻⁶ .m/N	110
Effective piston area	S _d	m ²	0.0892
Equivalent Cas air load	V _{as}	m ³	0.1240
Max linear excursion	X _{max}	mm	± 8.5
Linear displacement volume	V _d	10 ⁻³ .m ³	0.7582
Reference efficiency	η_0	%	3.0
Unity load volume	V _{as} .Q _{ts} ²	10 ⁻³ .m ³	6.7

Absolute maximum ratings

Short term max. input voltage	V _{max}	V	180
Max. excursion before damage	X _{dam}	mm	± 14.0
Ambient operating temperature	T _a	°C	-10 to +50
Storage temperature		°C	-20 to +70
Environmental withstanding			Humidity proof



Mounting information

Air volume occupied by the driver	10 ⁻³ .m ³	5.00
Speaker net mass	kg	9.10
Baffle cut-out diameter (front mounting)	mm	355.0
Bolt number & Metric diameter	-	8x M6
Bolt circle diameter	mm	370 and 388
Max overall dimension (on ears)	mm	406.5
Max overall dimension (out of ears)	mm	380.5
Flange height	mm	12.8
Max magnet diameter	mm	224.4
Max depth (front mounting)	mm	159.0
Recommended reflex box	Lts / Hz	-
Electrical connection		Ø4 mm Push buttons

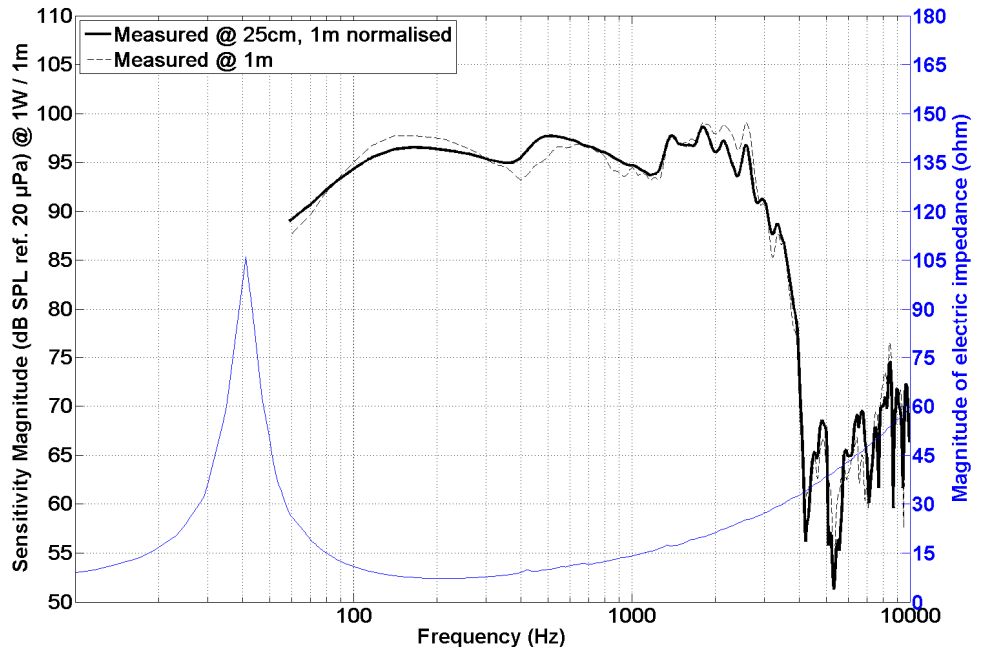


6031M

15 inches bass driver

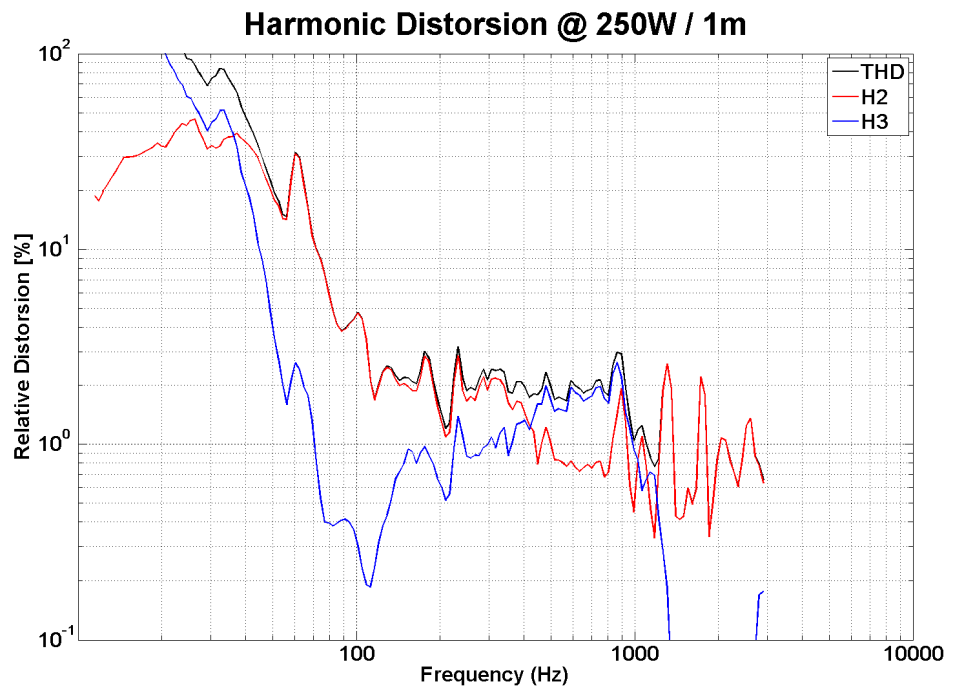
SPL curves measured on CEI standard baffle :

- . at 25 cm, normalised 1 m
- . at 1 m for reference
- . Graph amplitude = 60 dB (PHL Audio standard)



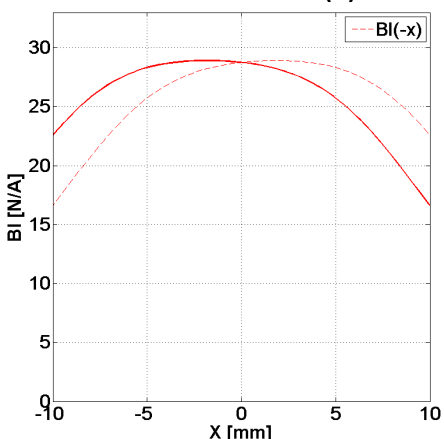
HD curve measured on CEI standard baffle :

- . at 1 meter
- . at power = $P_{AES} / 4$
- . Graph amplitude 0.01 % to 100 % (PHL Audio standard for $P_{AES}/4$)

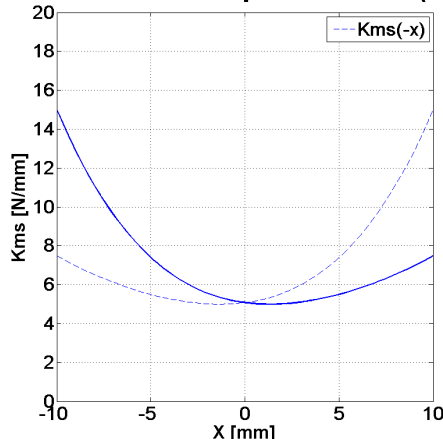


Non linear curves measured thanks to Klippel software and hardware, in free air

Force factor $Bl(x)$



Stiffness of suspension $Kms(X)$



Electrical inductance $L(X,I=0)$

