



950

Nominal Diameter	5 " / 13 cm
Rated Impedance	8
Sensitivity	94 dB SPL
Power Handling Capacity	80 W AES
SPL max (continuous)	109 dB SPL
Usable frequency range	300 - 4000 Hz
Speaker net mass	2.02 kg

5 inches midrange driver



Architecture highlights :

- Noiseless natural convection Intercooling System
- Ferrite magnet system with symmetric BL(x) and Le(x)
- High definition CCAR vented voice coil
- Critical damping flat foam surround
- Lightweight basket

Motor architecture

Magnet material	-	Fe
Voice coil diameter	mm	38
Voice coil length	mm	7.5
Air gap height	mm	6

Typical characteristics

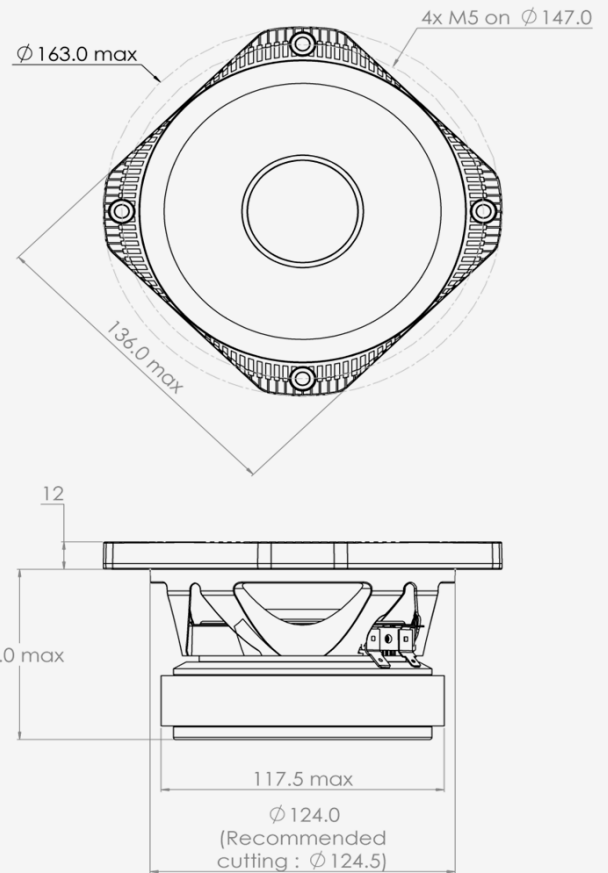
Rated impedance	Z	Ω	8
Half space sensitivity (1W@1m)	-	dB SPL	94.0
Usable freq. range	-	Hz	300 - 4000
Power handling capacity (AES)	-	W	80
Max Sound Pressure Level	SPL _{max}	dB SPL	109
Min. impedance modulus	Z _{min}	Ω@Hz	6.1@800
Voice-coil inductance @ 1kHz	Le _{1k}	mH	0.599
Voice-coil inductance @ 10kHz	Le _{10k}	mH	0.235
BL product	BL	N/A	8.8
Moving mass	M _{ms}	kg	0.0081

Thiele-Small parameters

Resonance frequency	F _s	Hz	200 (±40)
DC Resistance	Re	Ω	5.3 (±0.5)
Mechanical quality factor	Q _{ms}	1	5.99
Electrical quality factor	Q _{es}	1	0.70
Total quality factor	Q _{ts}	1	0.62
Suspension compliance	C _{ms}	10 ⁻⁶ .m/N	80
Effective piston area	S _d	m ²	0.0109
Equivalent Cas air load	V _{as}	m ³	0.0013
Max linear excursion	X _{max}	mm	± 2.0
Linear displacement volume	V _d	10 ⁻³ .m ³	0.0219
Reference efficiency	η ₀	%	1.5
Unity load volume	V _{as} .Q _{ts} ²	10 ⁻³ .m ³	0.5

Absolute maximum ratings

Short term max. input voltage	V _{max}	V	50
Max. excursion before damage	X _{dam}	mm	± 3.0
Ambient operating temperature	T _a	°C	-10 to +50
Storage temperature		°C	-20 to +70
Environmental withstanding			Humidity proof



Mounting information

Air volume occupied by the driver	10 ⁻³ .m ³	0.38
Speaker net mass	kg	2.02
Baffle cut-out diameter (front mounting)	mm	124.5
Bolt number & Metric diameter	-	4x M5
Bolt circle diameter	mm	147.0
Max overall dimension (on ears)	mm	163.0
Max overall dimension (out of ears)	mm	136.0
Flange height	mm	12.0
Max magnet diameter	mm	117.5
Max depth (front mounting)	mm	75.0
Recommended reflex box	Lts / Hz	-
Electrical connection		6.35x0.8 + 4.8x0.5 FASTON

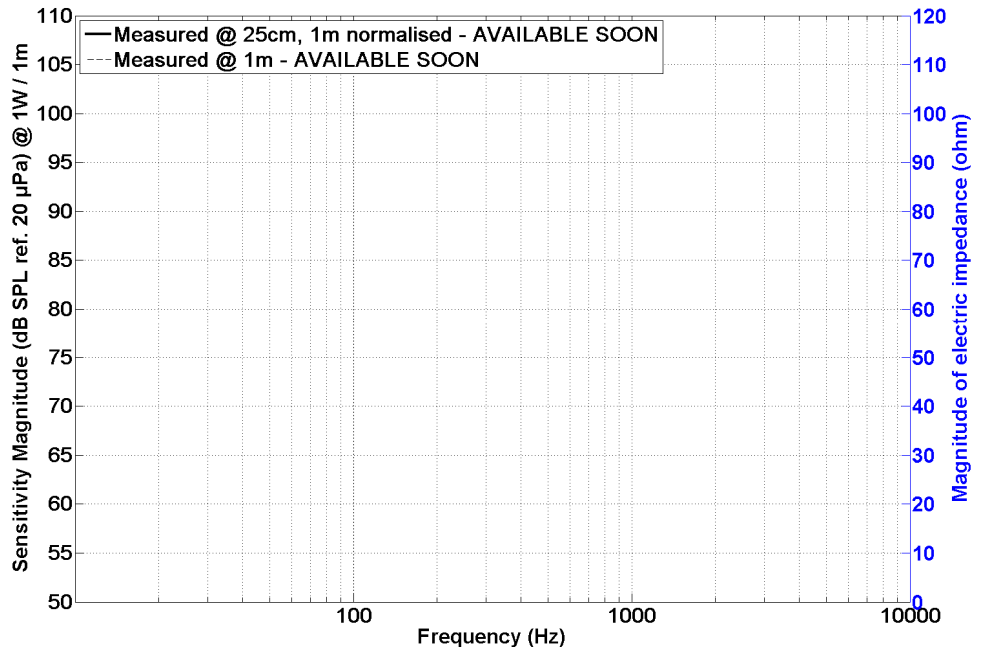


950

5 inches midrange driver

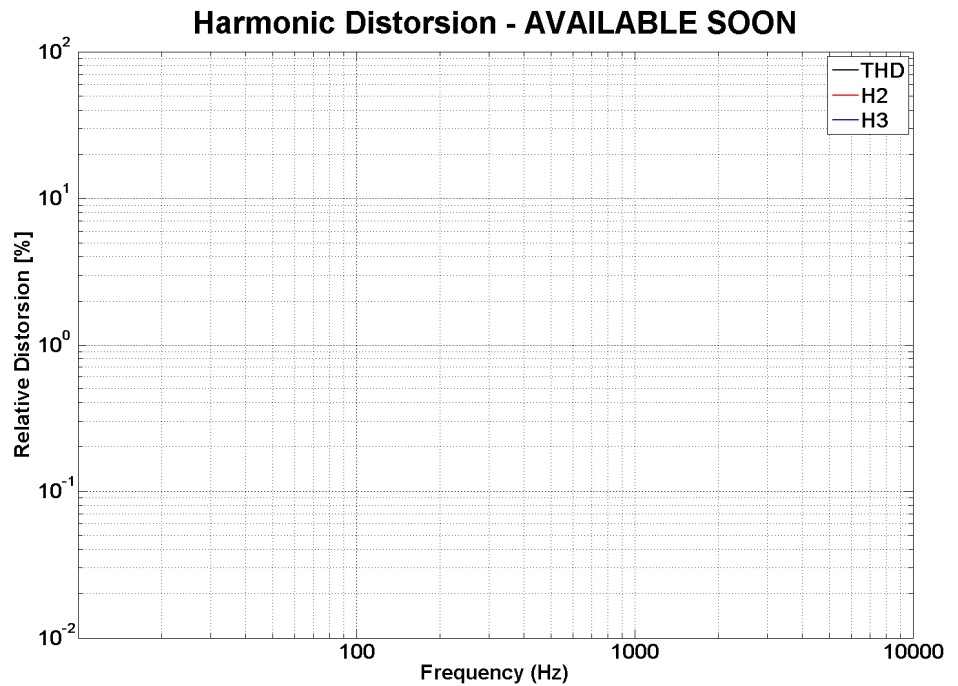
SPL curves measured on CEI standard baffle :

- . at 25 cm, normalised 1 m
- . at 1 m for reference
- . Graph amplitude = 60 dB (PHL Audio standard)



HD curve measured on CEI standard baffle :

- . at 1 meter
- . at power = $P_{AES} / 4$
- . Graph amplitude 0.01 % to 100 % (PHL Audio standard for $P_{AES}/4$)



Non linear curves measured thanks to Klippel software and hardware, in free air

