



982Nd

5 inches low-mid coaxial driver

Nominal Diameter	5" / 13 cm
Rated Impedance	8
Sensitivity	92 dB SPL
Power Handling Capacity	100 W AES
SPL max (continuous)	109 dB SPL
Usable frequency range	110 - 16000 Hz
Speaker net mass	1.04 kg



Architecture highlights :

- Time aligned coaxial HF driver
- Noiseless natural convection Intercooling System
- Neodymium magnet system with symmetric BL(x) and Le(x)
- High excursion fabric surround
- Lightweight basket

Motor architecture

Magnet material	-	Nd
Voice coil diameter	mm	38
Voice coil length	mm	12
Air gap height	mm	6

Typical characteristics

Rated impedance	Z	Ω	8
Half space sensitivity (1W@1m)	-	dB SPL	92.0
Usable freq. range	-	Hz	110 - 4000
Power handling capacity (AES)	-	W	100
Max Sound Pressure Level	SPL _{max}	dB SPL	109
Min. impedance modulus	Z _{min}	Ω @Hz	6.4@650
Voice-coil inductance @ 1kHz	Le _{1k}	mH	0.590
Voice-coil inductance @ 10kHz	Le _{10k}	mH	0.233
BL product	BL	N/A	8.8
Moving mass	Mms	kg	0.0085

Thiele-Small parameters

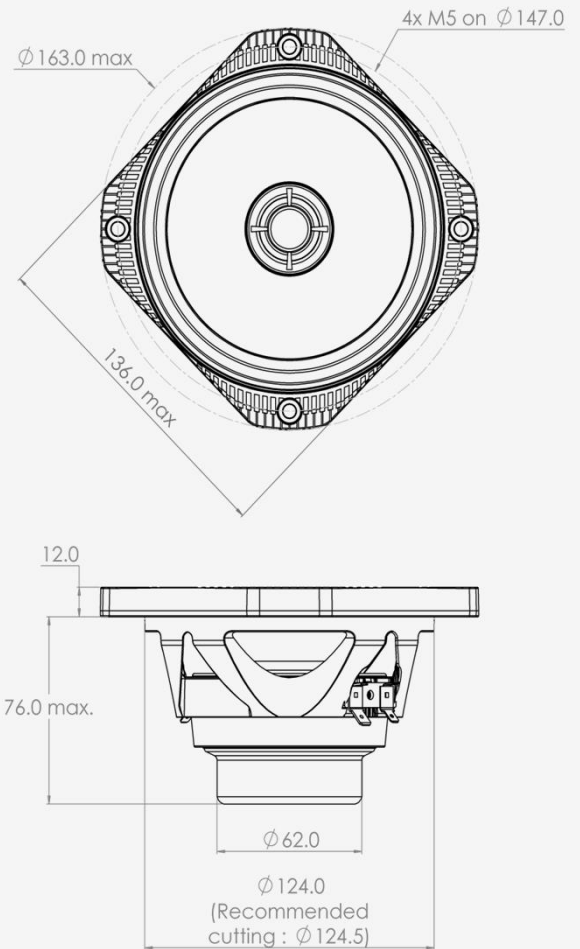
Resonance frequency	Fs	Hz	130 (±20)
DC Resistance	Re	Ω	5.7 (±0.6)
Mechanical quality factor	Qms	1	3.65
Electrical quality factor	Qes	1	0.51
Total quality factor	Qts	1	0.45
Suspension compliance	Cms	10 ⁻⁶ .m/N	180
Effective piston area	Sd	m ²	0.0096
Equivalent Cas air load	Vas	m ³	0.0023
Max linear excursion	Xmax	mm	± 4.5
Linear displacement volume	Vd	10 ⁻³ .m ³	0.0432
Reference efficiency	η_0	%	0.9
Unity load volume	Vas.Qts ²	10 ⁻³ .m ³	0.5

Absolute maximum ratings

Short term max. input voltage	Vmax	V	55
Max.excursion before damage	Xdam	mm	± 12.0
Ambient operating temperature	Ta	°C	-10 to +50
Storage temperature		°C	-20 to +70
Environmental withstanding			Tropical

Coaxially mounted HF Unit

Rated impedance	Z	W	4
Half space sensitivity (1W@1m)	-	dB SPL	97.0
Usable freq. range	-	Hz	2 000 - 16 000
Power handling capacity (AES)	-	W	30



Mounting information

Air volume occupied by the driver	10 ⁻³ .m ³	0.18
Speaker net mass	kg	1.0
Baffle cut-out diameter (front mounting)	mm	124.5
Bolt number & Metric diameter	-	4x M5
Bolt circle diameter	mm	147.0
Max overall dimension (on ears)	mm	163.0
Max overall dimension (out of ears)	mm	136.0
Flange height	mm	12.0
Max magnet diameter	mm	-
Max depth (front mounting)	mm	76.0
Recommended reflex box	Lts / Hz	5L / 110Hz
Electrical connection		6.35x0.8 + 4.8x0.5 FASTON